

# Proposals for Horizon Europe flagship projects – Lot 2

**BJØRN KAARE JENSEN**

**GEUS**

**WORKSHOP ON THE PREPARATION OF CEWP FLAGSHIP PROJECT  
7<sup>TH</sup> HIGH LEVEL DIALOGUE CONFERENCE, GUIMARAES, 8 NOVEMBER 2019**



Rural Water and Food Security  
An Action supported by the European Union



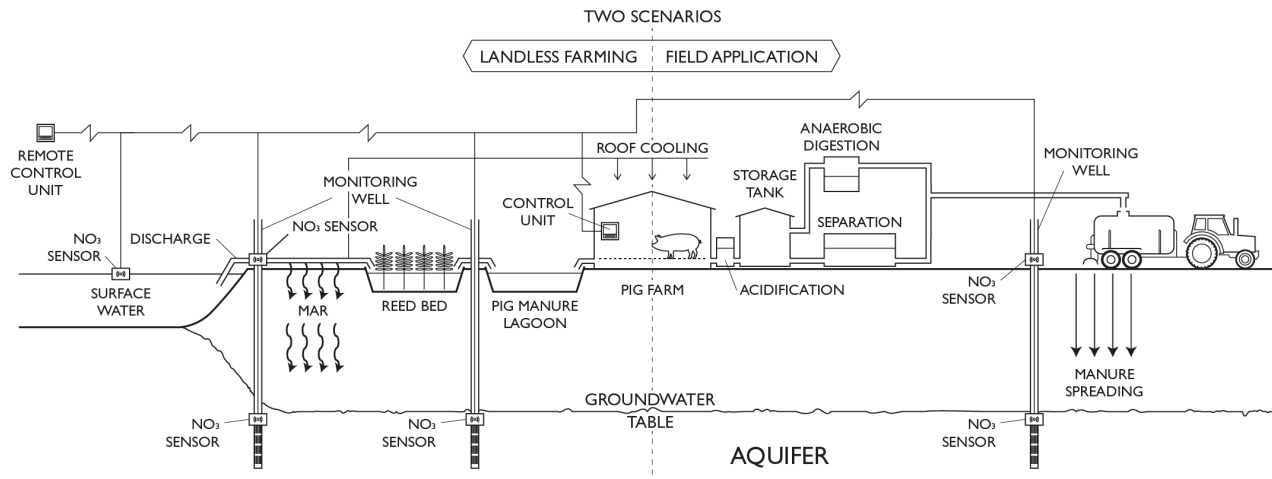
# Procedure for selecting priority proposals

- Listing of proposals from JSC meeting in Budapest
- Suggesting new ideas in round tables
- Matching projects with preliminary call contents (Horizon Europe & MoST)
- Prioritising ideas



# Proposals for Flagship projects raised at the JSC meeting in Budapest – Idea 1

## Sustainable and digitalized manure management for mitigating water pollution



# Proposals for Flagship projects raised at the JSC meeting in Budapest – Idea 2

Groundwater overexploitation as a consequence of increased water scarcity in a climate change context

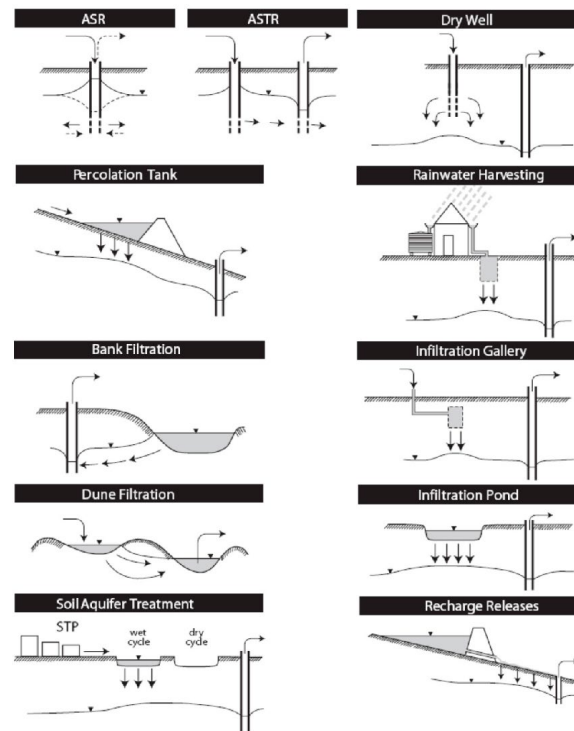
- Quantity assessment (monitoring, modelling)
- Counteracting (MAR, Water saving (households, irrigation), social measures)
- Demand management



# Proposals for Flagship projects raised at the JSC meeting in Budapest – Idea 3

## Managed Aquifer Recharge of reclaimed wastewater and storm water

- Well-canal combination for irrigation
- Combined pre treatment and/or after polishing techniques and MAR
- Social acceptance measures



**Thank you for your attention !**

**感谢您的参与和关注！**

**谢谢！**

